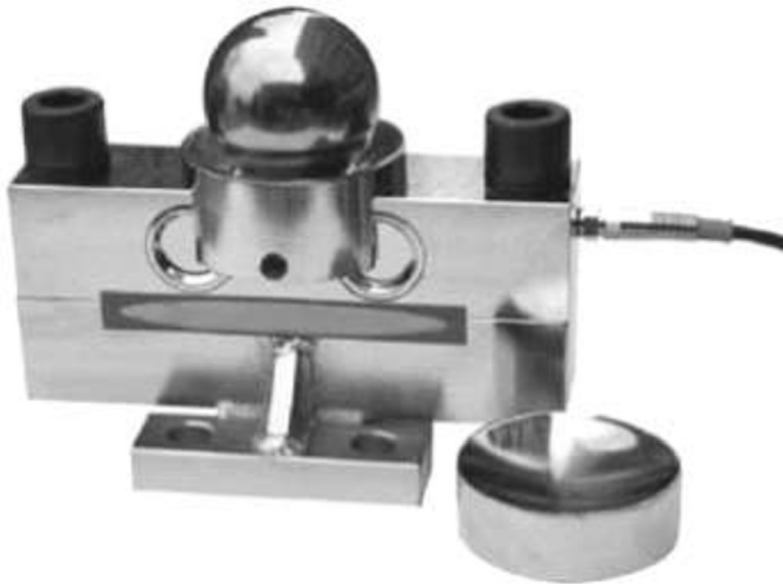
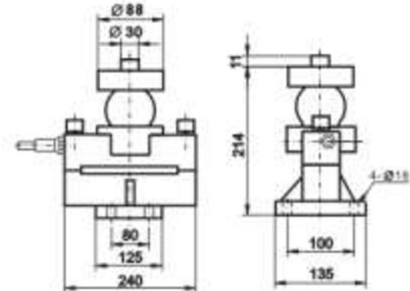


Cup Ball Type Load Cell

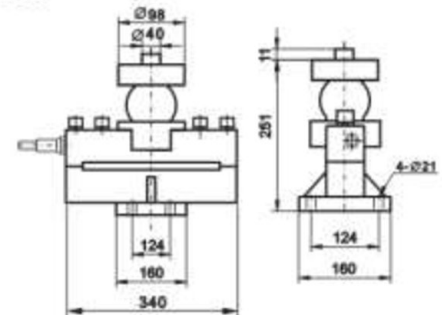
CRZ-25



10~40t:



50t:



Application		Truck Scale	
Model		CRZ-25	
Capacity	t	10,20,25,30,40,50,	
Rated output	MV/V	2.0±0.004	
Accuracy class		C2	C3
Maximum number of verification intervals	n_{max}	2000	3000
Minimum load cell verification intervals	V_{min}	$E_{Max}/5000$	$E_{Max}/7500$
Combined erro	%RO	≤±0.030	≤±0.020
Creep	%RO/30min	0.03	0.02
Temperature effect on sensitivity	%RO/°C	0.003	0.0016
Temperature effect on zero	%RO/°C	0.003	0.002
Zero balance	%RO	±1.0	
Input resistance	Ω	750±3	2050±10
Output resistance	Ω	700±5	2000±10
Insulation resistance	M Ω (50V)	5000	
Recommended excitation voltage	V	5~18	
Compensated excitation voltage	°C	-10~+40	
Operating temperature range	°C	-35~+80	
Safe overload	%RO	150	
Ultimate overload	%RO	200	
Load cell material		Alloy Steel	
Connecting cable		Ø6.3X18m	