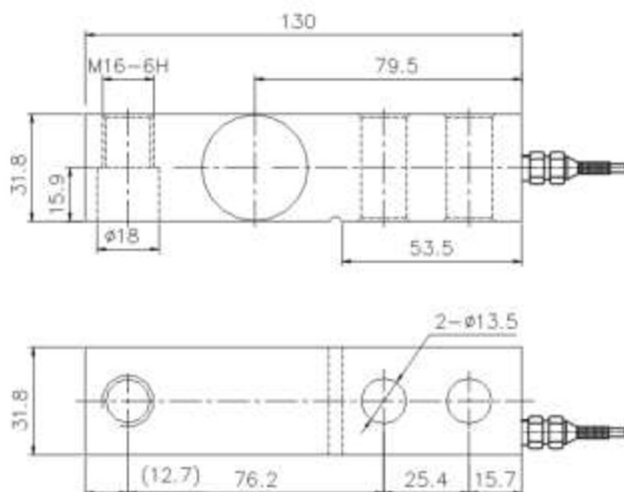


## Shear Beam Type Load Cell

### CRZ-12



Application		Floor Scale
Model		<b>CRZ-12</b>
Capacity	kg	50,100,200,250,500,1000,2000,3000
Rated output	MV/V	2.0±0.004
Accuracy class		C3
Maximum number of verification intervals	$n_{max}$	3000
Minimum load cell verification intervals	$V_{min}$	$E_{Max}/7500$
Combined erro	%RO	≤±0.020
Creep	%RO/30min	0.02
Temperature effect on sensitivity	%RO/°C	0.0016
Temperature effect on zero	%RO/°C	0.002
Zero balance	%RO	±1.0
Input resistance	Ω	365±10
Output resistance	Ω	350±3
Insulation resistance	M Ω(50V)	5000
Recommended excitation voltage	V	5~12
Compensated excitation voltage	°C	-10~+40
Operating temperature range	°C	-35~+80
Safe overload	%RO	150
Ultimate overload	%RO	200
Load cell material		Stainless Steel, Alloy Steel
Connecting cable		Ø5.7X2m